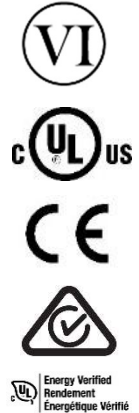




10W Interchangeable Wall Plug Adapter Series



Features

- Double Insulated
- Field Changeable AC Plugs – Sold Separately
- Limited Power Source (LPS)
- US DoE Level VI Efficiency Compliance
- Ecodesign/ErP Lot 7 (EU) 2019/1782 Compliance
- EU COC V5 Tier 2 Compliance
- AS/NZS 4665.1-2005+A1:2009, AS/NZS 4665.2-2005+A1:2009 Compliance
- Class B EMI

Applications

- Wireless Communications
- Peripherals
- Network Equipment
- Gaming

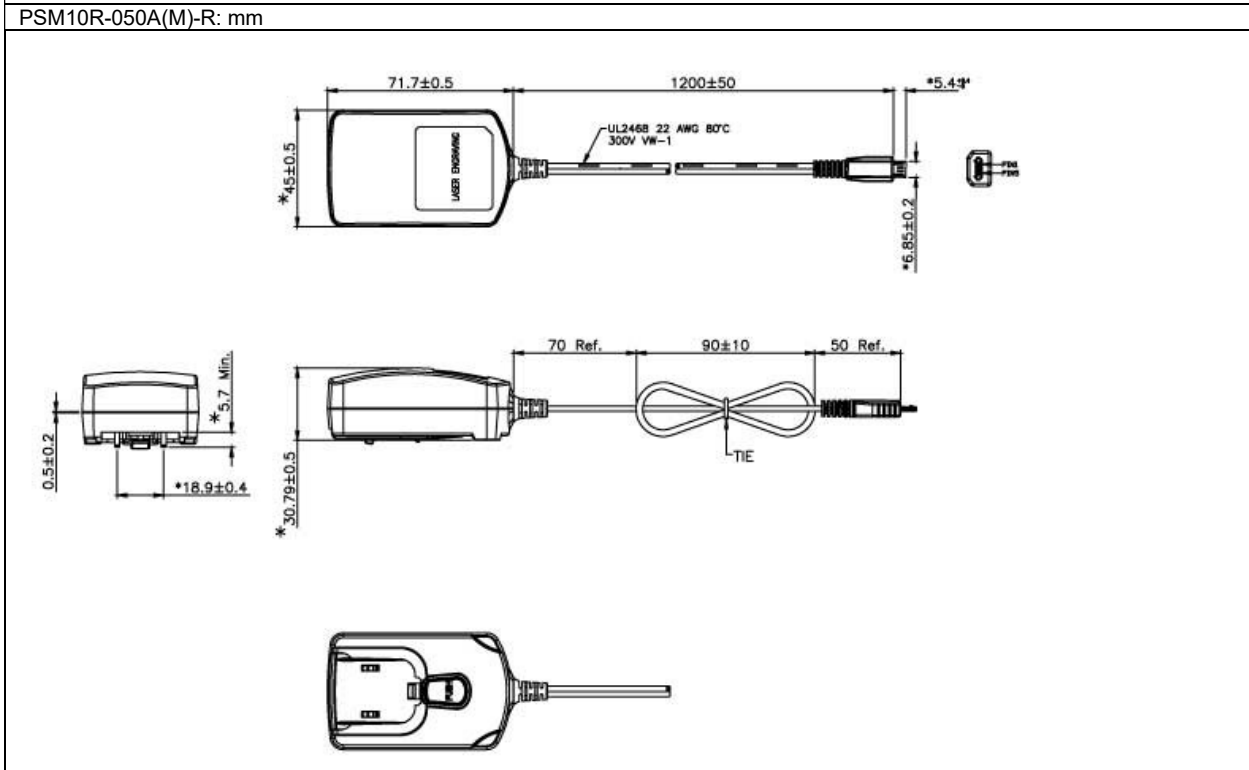
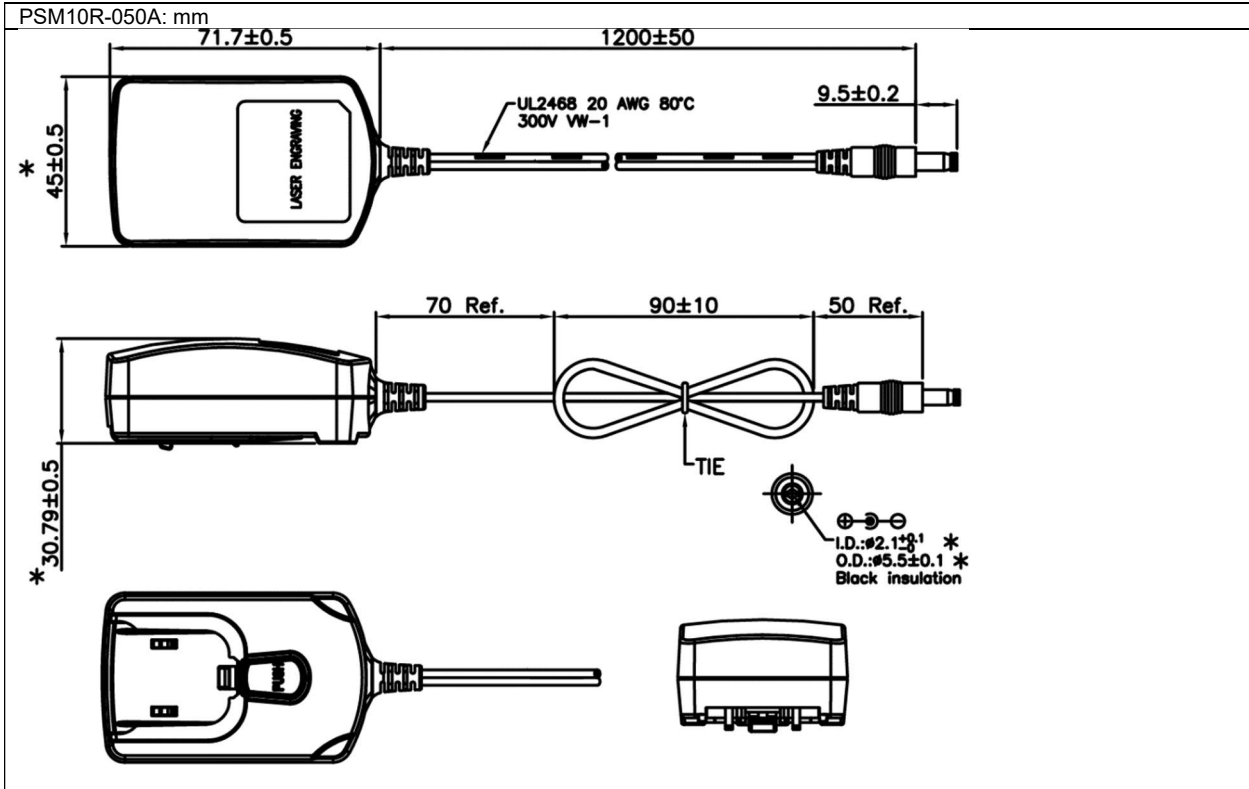


PSM10R Specifications¹

Model		PSM10R-050A-R	PSM10R-050A(M)-R
Output	DC Output Voltage	5.0V	5.0V
	Max Current	2.0A	2.0A
	Output Power	10.0W	10.0W
	Regulation	± 5%	± 5%
	Ripple & Noise P-P(max) ²	200mV	200mV
Input	AC Input Voltage Range	90 to 264VAC	
	AC Input Frequency	47 to 63Hz	
	Input Current	0.5A (RMS) max for 115Vac/max load 0.25A (RMS) max for 230Vac/max load	
	Inrush Current	30A for 120VAC, 60A for 240VAC (Cold start at ambient 25°C, full load)	
	No Load Power Consumption at 115VAC Input	0.006W	0.009W
	No Load Power Consumption at 230VAC Input	0.007W	0.035W
	115VAC Average Efficiency ³	81.8%	79.97%
	230VAC Average Efficiency ³	81.9%	79.87%
	230VAC 10% Load Efficiency ³	80.5%	78.8%
	Leakage Current	0.25mA at 264VAC, 50Hz	
Protection	Over-Voltage	10.0V max	
	Short Circuit	The output can be shorted without damage	
	Over-Current	Auto-restart	
Environmental	Operating Temperature	0°C to +40°C	
	Non-Operating Temperature	-40° to +85°C	
	Operating Humidity	10% to 90%	
Safety Approvals and EMC	Dielectric Withstand (HI-POT)	Primary to Secondary: 3000VAC for 1min, 10mA	
	Insulation Resistance	Primary to Secondary: >7M ohm for 500VDC	
	Standards	cULus 60950-1, cULus 62368-1, IEC60950-1, IEC 62368-1, AS/NZS 60950.1:2011+A1	
	EMI Emissions	FCC Part 15 Class B, CAN ICES-003(B)/NMB-003(B), EN 55032/CISPR 32 Class B Conducted and Radiated	
	Harmonic Current Emissions	IEC 61000-3-2	
	Voltage Fluctuations & Flicker	IEC 61000-3-3	
	Immunity	EN 55024/CISPR 24: IEC 61000-4-2 (+/- 8kV air, +/- 4kV contact), IEC 61000-4-3, IEC 61000-4-4, IEC 61000-4-5 (+/- 1kV), IEC 61000-4-6, IEC 61000-4-8, IEC 61000-4-11	
Mechanical	Dimensions (L x W x H)	71.7mm (2.82in) x 45.0mm (1.77in) x 30.79mm (1.21in)	
	Weight	68g	
	DC Cord	20AWG	22AWG
	DC Output Connector	2.1mm x 5.5mm x 9.5mm Barrel	USB Micro-B
Notes	<ol style="list-style-type: none"> The specifications defined are at ambient temperature of 25°C, unless otherwise specified. 20MHz bandwidth frequency oscilloscope, add a 0.1µF multilayer Cap. and Low ESR Electrolytic Cap. (10µF) at output connector terminals (nominal line voltage, full load). Efficiency is measured after 30 minutes burn-in. 		



PSM10R Outline Drawings



Supplier's Declaration of Conformity
47 CFR § 2.1077 Compliance Information

Phihong USA Corporation
47800 Fremont Boulevard
Fremont, CA 94538
Telephone: (510) 445-0100
www.phihong.com

NOTE: This model has/The models in this product series have been tested and found to comply with the limits for a Class B digital device, pursuant to part 15 of the FCC Rules. These limits are designed to provide reasonable protection against harmful interference in a residential installation. This equipment generates, uses and can radiate radio frequency energy and, if not installed and used in accordance with the instructions, may cause harmful interference to radio communications. However, there is no guarantee that interference will not occur in a particular installation. If this equipment does cause harmful interference to radio or television reception, which can be determined by turning the equipment off and on, the user is encouraged to try to correct the interference by one or more of the following measures:


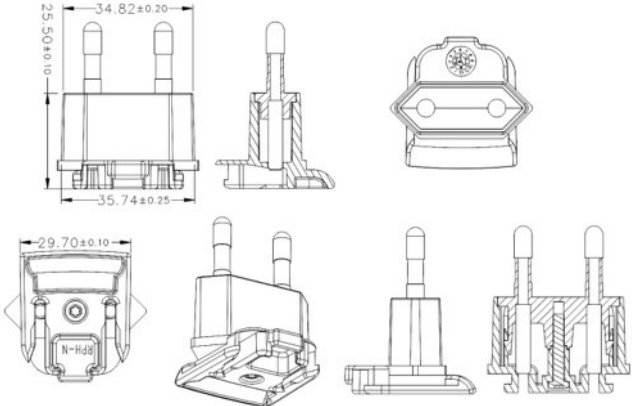

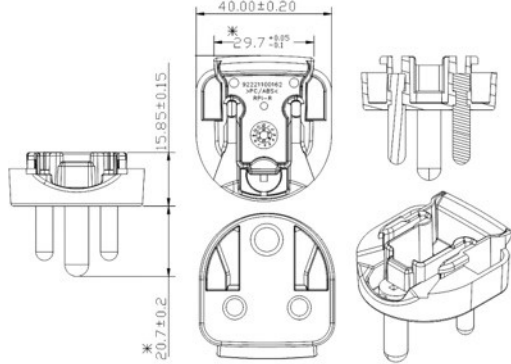

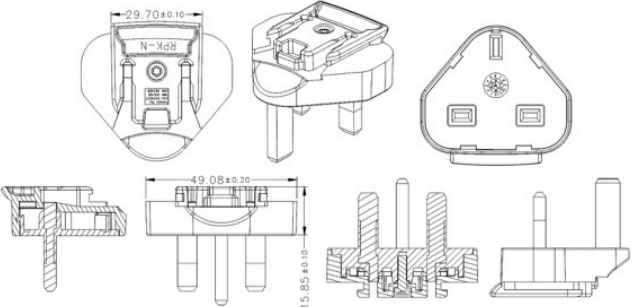

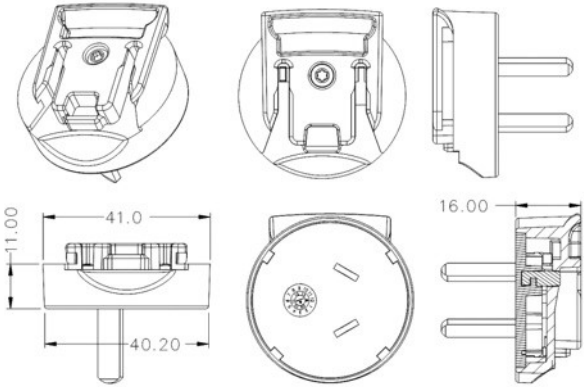
- Reorient or relocate the receiving antenna.
- Increase the separation between the equipment and receiver.
- Connect the equipment into an outlet on a circuit different from that to which the receiver is connected.
- Consult the dealer or an experienced radio/TV technician for help.


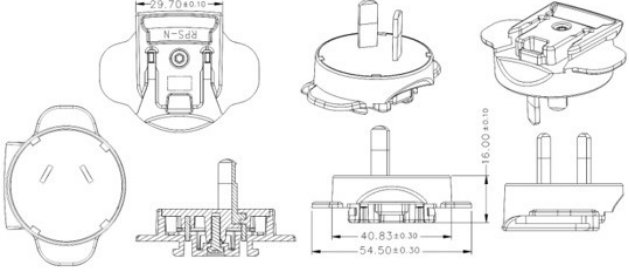

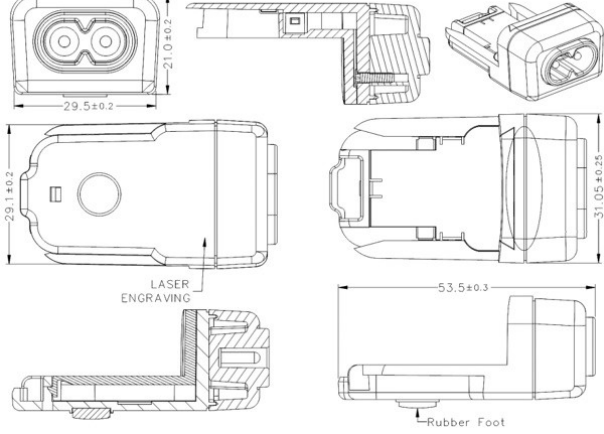
Changes or modifications to equipment not expressly approved by PHIHONG could void the user's authority to operate the equipment.



AC Input Clips – Sold Separately

Model	Photo	Description	Outline Drawing - mm
RPA-AB01VB-H		US Clip	
RPB-AB01VB-H		Brazil Clip	
RPC-AB01VB-H		China Clip	
RPE-AB01VB-H		Europe Clip	

Model	Photo	Description	Outline Drawing - mm
RPH-AB01VB-H		Korea Clip	
RPI-AB01VB-H		India Clip	
RPK-AB01VB-H		UK Clip	
RPN-AB01VB-H		Argentina Clip	

Model	Photo	Description	Outline Drawing - mm
RPS-AB01VB-H		Australia Clip	
RPX-03-R		C8 Clip	
RPBAG-AB01VB-H	<p>RPA-R, RPE-N-R, RPK(NC)-R and RPS-N-R interchangeable clips in a plastic bag.</p> 