

# M133WK

## 13.3" Intel® Core™ i5-8265U Ultra Rugged Tablet PC



### KEY FEATURES

- Intel® Core™ i5-8265U Whiskey Lake processor
- 13.3" 1920 x 1080 IPS wide viewing angle LED Panel
- Magnesium alloy housing with all-around elastomeric rubber
- Built-in kickstand usable as carrying handle (indefinitely adjustable)
- IP65 waterproof and dustproof
- Optical bonding technology
- TPM 2.0

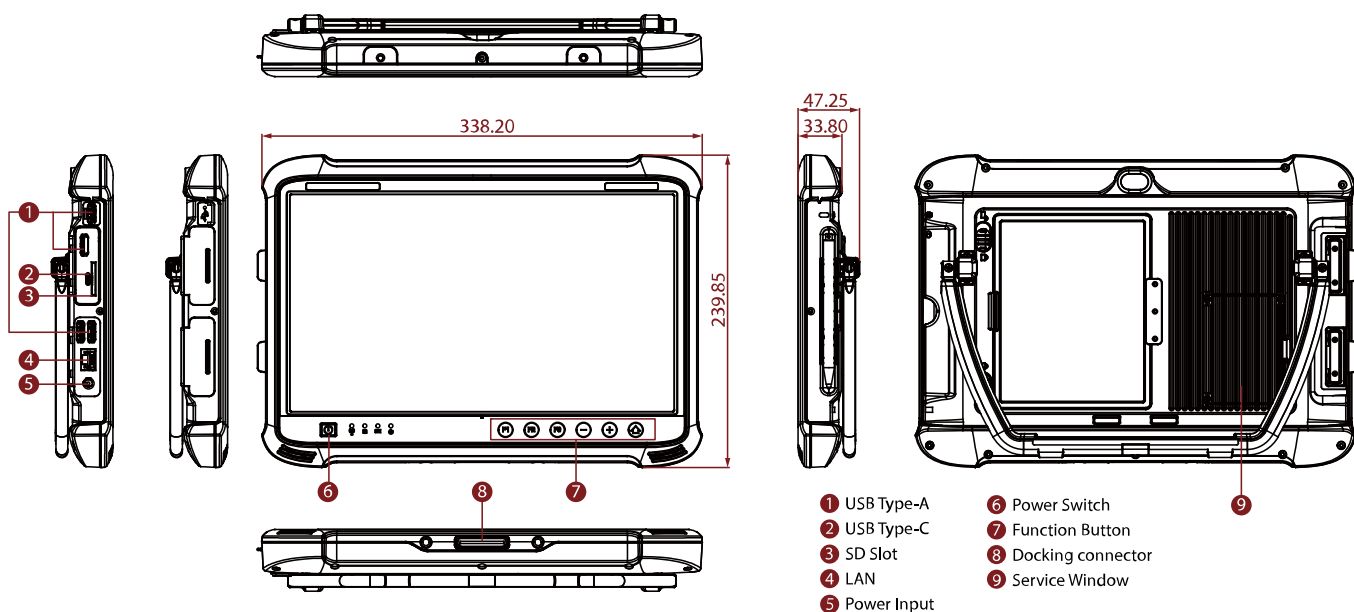


### SPECIFICATIONS

Display	
<b>Resolution</b>	1920x1080
<b>Contrast Ratio</b>	1000:1
<b>View Angles</b>	89,89,89,89
<b>Bonding</b>	Optical Bonding for Sunlight Viewability
<b>Size</b>	13.3 inches
<b>Panel Brightness</b>	500 nits
<b>Type</b>	Projected Capacitive Multi Touch
System Specification	
<b>Processor</b>	Intel® Core™ i5-8265U, 1.60 GHz (up to 3.90 GHz)
<b>Memory</b>	4GB SODIMM DDR4-2400 8GB SODIMM DDR4-2400 (Optional) 16GB SODIMM DDR4-2400 (Optional)
<b>Storage</b>	Storage 1: 1 x 128GB M.2 SSD Additional storage available with SDXC card slot Storage 1 up to 1x 1TB M.2 SSD (Optional) Storage 2 up to 1x 1TB M.2 SSD (Optional)
<b>Ethernet controller</b>	1 x RJ45-10/100/1000 Mbps LAN
<b>Security</b>	Trusted Platform Module (TPM) 2.0 Kensington Lock
<b>Operating System</b>	Windows 10 IoT Enterprise
<b>WLAN</b>	Support
<b>BT</b>	Support
<b>WWAN</b>	4G LTE (Optional)
<b>GNSS</b>	GPS/GLONASS (Optional)
Mechanical	
<b>Dimension</b>	338.2 x 240 x 30 mm (13.3 x 9.4 x 1.18 inches)
<b>Weight</b>	2.2kg (w/ kickstand)
<b>Cooling System</b>	Fanless thermal design
IO Ports	
<b>USB Port</b>	4 x USB 3.0 Type A, 1 x USB 3.1 Type C
<b>SD Card Slot</b>	1 x SDXC Slot
<b>Audio</b>	2 x 1 watt speaker
<b>LAN</b>	1 x RJ45-10/100/1000 Mbps LAN
<b>Indicator</b>	4x LED Indicator for Power, Battery, SSD, RF status
<b>Docking Connector</b>	1 x Docking connector
Environment	
<b>Operating Humidity</b>	30% to 80% RH, non-condensing
<b>Operating Temperature</b>	-10°C to 50°C (14°F to 122°F)
<b>Storage Temperature</b>	-20°C to 60°C (-4°F to 140°F)
<b>Shock</b>	MIL-STD-810G Method 516.6 Procedure I
<b>Vibration</b>	MIL-STD-810G Method 514.6 Procedure I
<b>IP rating</b>	IP65 certified, dustproof and waterproof
<b>Drop</b>	MIL-STD-810G Method 516.6, 4 ft

<b>Certification</b>			
<b>Certification</b>	CE, FCC		
<b>Security Function</b>			
<b>Kensington Lock</b>	Kensington Lock Support		
<b>Control</b>			
<b>Button</b>	1 x Power, 1 x menu, 2 x volume key 3 x Programmable Function Keys		
<b>Camera</b>			
<b>Rear Camera</b>	1 x 8MP Rear Camera with auto-focus and LED light (Optional)		
<b>Power</b>			
<b>Battery</b>	15.4V, typ. 5900 mAh Li-Polymer Battery (4S1P)	<b>Battery Operating Time</b>	More than 10 hours (BAPCo TabletMark v3)
<b>Power Rating</b>	19V DC	<b>Adapter</b>	100-240V, 50-60Hz / 19V DC
<b>Accessory</b>			
<b>Accessory</b>	Adapter and Power Cord Standard Battery Stylus Stand with Integrated Handle	<b>Optional Accessory</b>	Vehicle Charger (Optional) Battery Charger (Optional) Desk Docking (Optional)

## DIMENSIONS UNIT:MM



## NOTE

1. Total usable memory will be less dependent upon actual system configuration.
2. TPM 2.0 is available upon request.
3. Length measurements do not include protrusions. Weight varies with options.
4. Measured at dimming LCD brightness. Varies depending on the usage conditions, or when an external device is attached.
5. This is a simplified drawing and some components are not marked in detail.
6. The product shown in this datasheet is a standard model. For diagrams that contain customized or optional I/O, please contact the Winmate Sales Team for more information.