

HH100D



GENERAL DESCRIPTION

Optima HH100D provides aesthetic and effective control of entry or exit at kinds of toll collection systems like train/metro stations, and access control for commercial centers, stadiums, schools, government, and private sector buildings, etc.

SYSTEM SPECIFICATIONS

- The main body, arms, rotor, and top cover are AISI 304-Grade stainless steel.
- The top cover is removable for easy maintenance.
- Direction control is maintained by the Optima Control card.
- Low power consumption and silent running.
- Compatible with all access control systems.
- A locking-sub mechanism prevents the rotor from turning backward after 30 degrees of rotation.
- Open-end of the arms closed by plastic caps.
- Suitable for indoor and outdoor use.
- Self-centering design enables the arms to stand at the correct position at every turn.

ENVIRONMENTAL CONDITIONS AND POWER REQUIREMENT

Between -15°C and +65°C, 95% non-condensing humidity; 220-240 VAC, mono phase, 50-60 Hz.

OPTIONAL ACCESSORIES

- AISI 316 Stainless Steel option.
- Push button box.
- Digital Counter.
- Sound signaling device (buzzer).
- Motor-driven mechanism.
- Stainless steel railing.
- Card reader mounting plate with pedestal.
- Card reader mounting plate on the turnstil.
- Uninterrupted power supply (UPS).
- SCADA or any control system: It is possible to change and check the position of turnstile with touch screen control panel, mobile devices (ios-android), computer, etc.

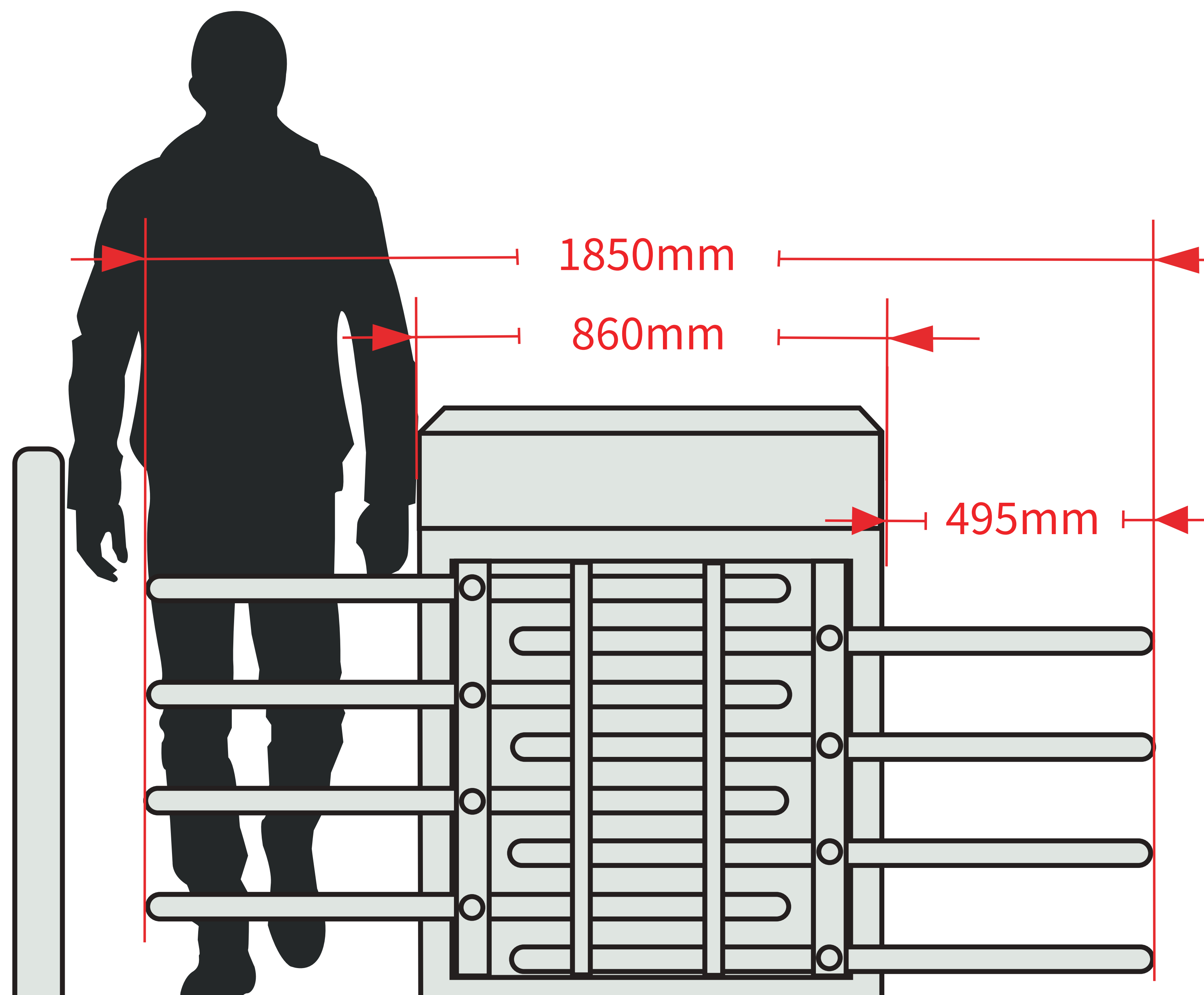
TYPE DESCRIPTION

- HH100-001 Electromechanical, A1 Quality Steel (Galvanized + Painted + Furnaced).
- HH100-001D Electromechanical, Double Entrance HH100 - 001.
- HH100-002 Electromechanical, Rotor + Arms Stainless Steel, Body A1 Quality Steel (Galvanized + Painted + Furnaced).
- HH100-002D Electromechanical, Double Entrance HH100 - 002.
- HH100-003 Electromechanical, AISI 304 (Optional 316) Quality Stainless Steel Completely HH100 - 003D Electromechanical, Double Entrance HH100 - 003.
- HH100-010 Mechanical, A1 Quality Steel (Galvanized + Painted + Furnaced) HH100 - 010D Mechanical, Double Entrance HH100 - 010.
- HH100-011 Mechanical, Rotor + Arms Stainless Steel, Body A1 Quality Steel (Galvanized + Painted + Furnaced) HH100-011D Mechanical, Double Entrance HH100 - 011.
- HH100-030 Mechanical, AISI 304 (Optional 316) Quality Stainless Steel Completely HH100 - 030D Mechanical, Double Entrance HH100 - 030.

SECURITY SYSTEMS | HH100D HALF HEIGHT TURNSTILE (DOUBLE)

MAIN BODY MEASUREMENTS

FRONT VIEW



SIDE VIEW

