

## GENERAL VIEW OF FXB-CT-SHM



## GENERAL DESCRIPTION

Optima Crash Tested Fix Bollards are designed for vehicle entrances, military, industrial, governmental and commercial buildings or streets which are closed to vehicle traffic permanently.

## AFTER THE CRASH TEST



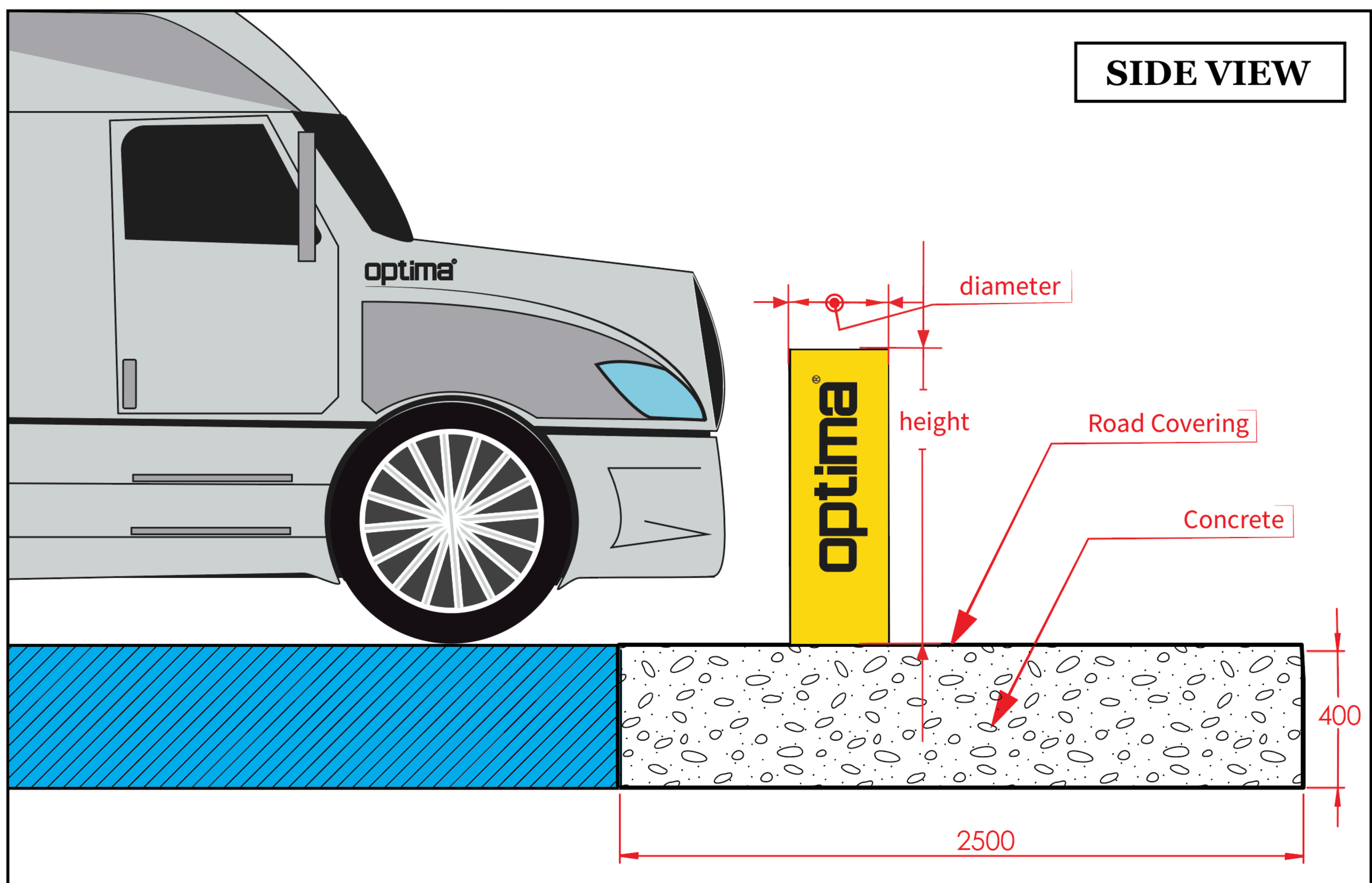
## FEATURES IN FIX BOLLARD

- ⇒ Bollard Diameter: 355mm.
- ⇒ Blocking Height: 1100mm.
- ⇒ Foundation Size: 4500 x 2500 x 400(triple unit).
- ⇒ Installation depth : 400mm concrete.
- ⇒ Impact Load: 1699 kJ (6.8 t @ 50 mph).
- ⇒ Crash test: ASTM F 2656-07 M50/P1 Zero Penetration.

## OPTIONAL ACCESSORIES

- ⇒ Different color options.
- ⇒ Flashing light on top of bollard.
- ⇒ Decorative top flanges.
- ⇒ Stop sign with mounting pedestal.

## MAIN BODY MEASUREMENTS AND FOUNDATION



## MAIN BODY FOUNDATION DIMENSIONS

